



WE ARE LIBRARY PEOPLE®

Lingo shelving system





WE ARE LIBRARY PEOPLE®

Lingo

Nr. 1:

Wooden overlaying top (WT2)

Painted wooden panel (WP5)

Steel back frame

Steel shelf for backedge book support (S1)

Castor plate





WE ARE LIBRARY PEOPLE®

Lingo

Nr. 2:

Wooden top shelf (WT1 double)

Veneered wooden slat panel (WP2)

Steel back frame

Steel shelf for hanging book support (S2)

Castor frame with visible castors





WE ARE LIBRARY PEOPLE®

Lingo

Nr. 3:

Wooden top shelf (WT1 full depth) and steel shelf for hanging book support (S4)

Veneered wooden panel (WP1)

Cross brace

Steel shelf for hanging book support (S3)

Adjustable feet with wooden plinth





WE ARE LIBRARY PEOPLE®

Lingo

Nr. 4:

Steel top shelf (ST2)

Painted wooden panel (WP1)

Cross brace

Steel shelf for hanging book support (S2)

Adjustable feet





WE ARE LIBRARY PEOPLE®

Lingo

Nr. 5:

Wooden overlaying top plate (WT2 freestanding)

Painted wooden panel (WP3)

Wooden back panel

Steel shelf for backedge book support (S1)

Adjustable feet





WE ARE LIBRARY PEOPLE®

Lingo

Nr. 6:

Steel top shelf (ST3)

Melamine wooden panel (WP1)

Wooden back panel

Steel shelf for hanging book support (S3)

Castor frame with hidden castors





WE ARE LIBRARY PEOPLE®

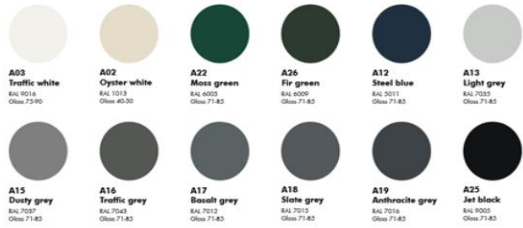
Lingo

Design options

DESIGN OPTIONS

STANDARD COLOURS AND FINISHES FOR STEEL COMPONENTS

PRICE GROUP 1 - SMOOTH FINISH (no surcharge)



PRICE GROUP 2 - SMOOTH FINISH (7% surcharge)



PRICE GROUP 2 - TEXTURED FINISH (7% surcharge)



DESIGN OPTIONS

STANDARD COLOURS AND FINISHES FOR WOODEN COMPONENTS

PRICE GROUP A - MELAMINE (no surcharge)



PRICE GROUP B - MELAMINE (10% surcharge)



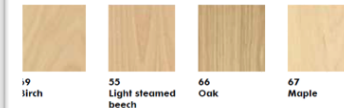
DESIGN OPTIONS

STANDARD COLOURS AND FINISHES FOR WOODEN COMPONENTS

*PRICE GROUP A - PAINTED (no surcharge except metallic and textured surfaces)



*PRICE GROUP A - VENEER (no surcharge)



*PRICE GROUP B - VENEER (20% surcharge)





WE ARE LIBRARY PEOPLE®

Lingo

Dimensions

Heights

720, 920, 1220, 1520, 1820 and 2120 mm.

Depths

250, 300 and 400 mm

Widths (modules)

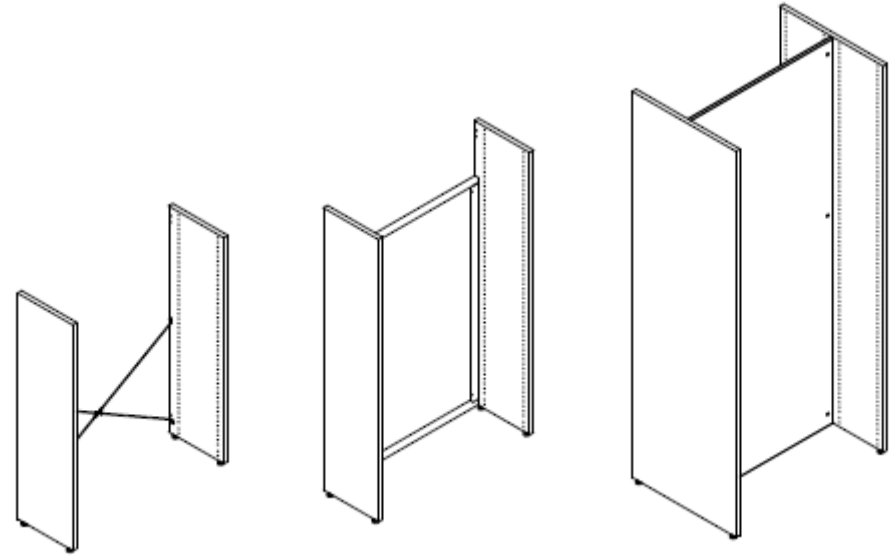
500, 750, 900 and 1000 mm.

Increments

The shelves are adjustable in 25 mm increments.

Placement of holes

The distance between the front edge of the end panel and the front edge of the shelf is 7 mm.





WE ARE LIBRARY PEOPLE®

Lingo Square

Dimensions

Heights

920, 1220, 1520 and 1820 mm.

Depths

288,5 mm for 250 mm deep shelves.

338,5 mm for 300 mm deep shelves.

Widths

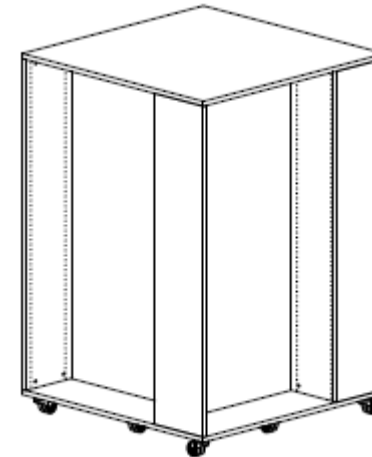
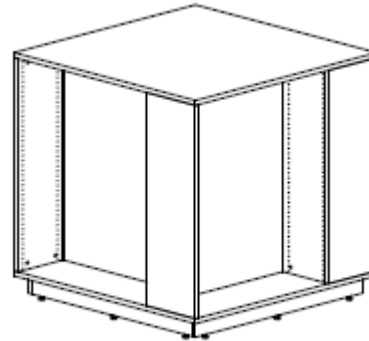
500, 750 and 900 mm.

Increments

The shelves are adjustable in 25 mm increments.

Placement of holes

The distance between the front edge of the end panel and the front edge of the shelf is 7 mm.



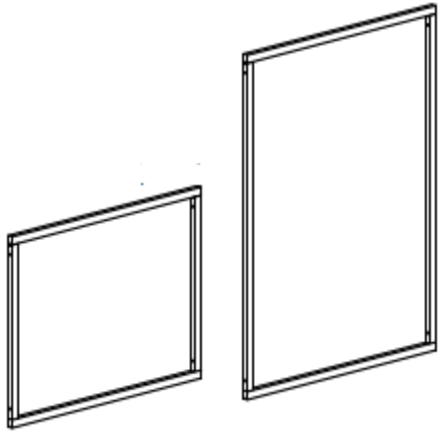


WE ARE LIBRARY PEOPLE®

Lingo

Connection elements

Steel back frame



BN010/BN012

- 2 heights
- additional frame for add-on bays

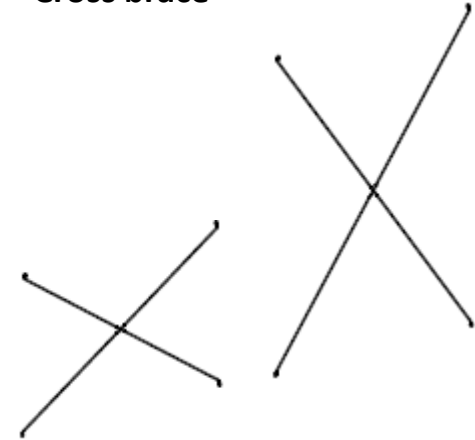
Wooden back panel



BN015/BN016

- 4 versions, depending on:
 - adjustable feet/castor plate
 - depth of top shelf/overlying top plate

Cross brace



BN020

- 2 heights
- Only available in zinc plated

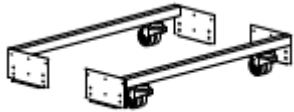


WE ARE LIBRARY PEOPLE®

Lingo

Castors

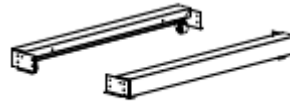
Castor frame with visible castors



BN060

A set of 2 frames and 4 Ø75 mm castors.

Castor frame with hidden castors and steel plinth



BN061

A set of 2 frames, 4 x Ø35 mm castors w/out brakes and 2 steel plinths.

Castor plate



BN051



WE ARE LIBRARY PEOPLE®

Lingo

Steel shelves

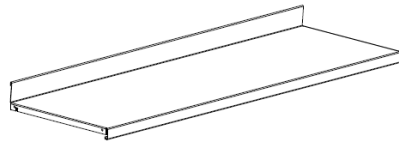
S1 – steel shelf with steel backedge (for backedge book support)

Details:

- Module 500/750/900/1000 mm
- Depth 250/300/400 mm
- Steel backedge H47 mm
- Backedge book support
- Steel brackets
- Max. weight 80 kg.
- Straight, 45°/60° sloping & 7,5° reverse tilted

Use with:

- ST1 - steel top shelf
- WT1 - wooden top shelf
- WT2 - wooden overlaying top shelf



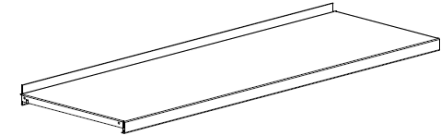
S2 – steel shelf with acrylic backedge (for hanging book support)

Details:

- Module 500/750/900/1000 mm
- Depth 250/300/400 mm
- Acrylic backedge H17 mm (loose part)
- Hanging book support
- Steel brackets
- Max. weight 80 kg.
- Straight

Use with:

- ST2 - steel top shelf
- WT1 - wooden top shelf
- WT2 - wooden overlaying top shelf



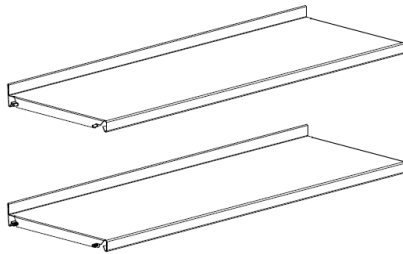
S3 – steel shelf with steel backedge (for hanging book support)

Details:

- Module 500/750/900/1000 mm
- Depth 250/300/400 mm
- Steel backedge H25 mm
- Hanging book support
- Pins/screws (only screws for cross brace)
- Max. weight 80 kg.
- Straight and sloping

Use with:

- ST3 - steel top shelf
- WT1 - wooden top shelf
- WT2 - wooden overlaying top shelf



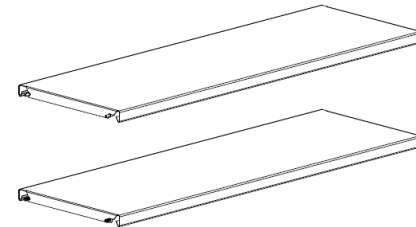
S4 – steel shelf with no backedge (for hanging book support)

Details:

- Module 500/750/900/1000 mm
- Depth 250/300/400 mm
- No backedge
- Hanging book support
- Pins/screws (only screws for cross brace)
- Max. weight 80 kg.
- Straight

Use with:

- ST3 - steel top shelf
- WT1 - wooden top shelf
- WT2 - wooden overlaying top shelf





WE ARE LIBRARY PEOPLE®

Lingo

Steel top shelves

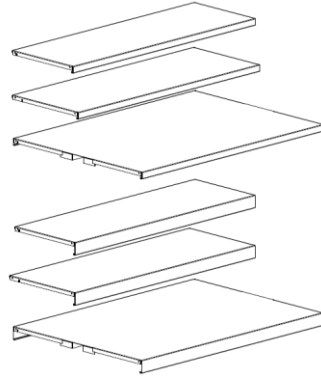
ST1 – steel shelf (for backedge book support)

Details:

- Module 500/750/900/1000 mm
- Depth 250/300/400 mm
- Single-sided (standard/full depth)/double-sided
- With 25/47 mm frontedge
- Brackets and screws
- Max. weight 25 kg.

Use with:

- S1 - steel shelf for backedge book support
- WP1/2/5/6 - wooden panels for top shelf
- WBP1/2/3/4 - wooden back panels for top shelf



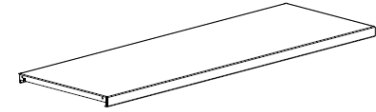
ST2 – steel shelf (for hanging book support)

Details:

- Module 500/750/900/1000 mm
- Depth 250/300/400 mm
- Single-sided
- With 25 mm frontedge
- Brackets and screws
- Hanging book support
- Max. weight 25 kg

Use with:

- S2 - steel shelf for hanging book support
- WP1/2/5/6 - wooden panels for top shelf
- WBP1/3 - wooden back panels for top shelf



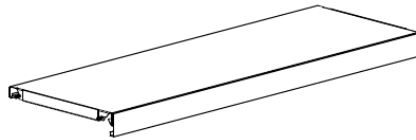
ST3 – steel shelf (for hanging book support)

Details:

- Module 500/750/900/1000 mm
- Depth 250/300/400 mm
- Single-sided
- With 25 mm frontedge and 50 mm clip-on label holder
- Pins, screws and spacer
- Hanging book support
- Max. weight 80 kg.

Use with:

- S3 - steel shelf - for hanging book support
- WP1/2/5/6 - wooden panels for top shelf
- WBP1/3 - wooden back panels for top shelf





WE ARE LIBRARY PEOPLE®

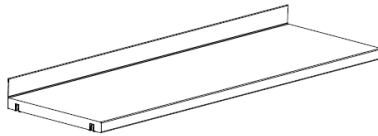
Lingo

Wooden shelves

W1 – wooden shelf with steel backedge (for backedge book support)

Details:

- Module 500/750/900 mm
- Depth 250/300/400 mm
- Painted/veneer
- Steel backedge H47 mm for backedge book support
- Snapfix
- Max. weight 80 kg.
- Blockboard
- Straight



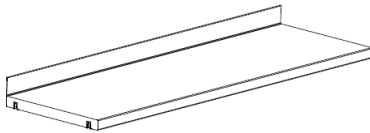
Use with:

- ST1/ST2/ST3 - steel top shelf
- WT1 - wooden top shelf
- WT2 - wooden overlaying top shelf

W3 – wooden shelf with steel backedge (for hanging book support)

Details:

- Module 500/750/900/1000 mm
- Depth 250/300/400 mm
- Melamine/laminate
- Steel backedge H47 mm
- With/without groove for clip-on label holder
- Snapfix (use WB3 with screws for cross brace)
- Max. weight 60 kg.
- Particleboard/blockboard
- Straight



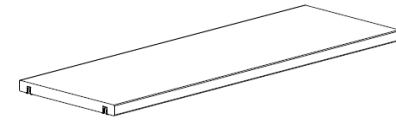
Use with:

- ST1/ST2/ST3 - steel top shelf
- WT1 - wooden top shelf
- WT2 - wooden overlaying top shelf

W2 – wooden shelf with no backedge

Details:

- Module 500/750/900 mm
- Depth 250/300/400 mm
- Painted/veneer
- No backedge
- Snapfix
- Max. weight 80 kg.
- Blockboard
- Straight



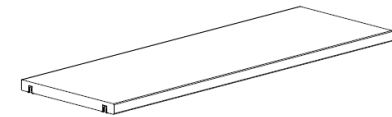
Use with:

- ST1/ST2/ST3 - steel top shelf
- WT1 - wooden top shelf
- WT2 - wooden overlaying top shelf

W4 – wooden shelf with no backedge (for hanging book support)

Details:

- Module 500/750/900/1000 mm
- Depth 250/300/400 mm
- Melamine/laminate
- No backedge
- With/without groove for clip-on label holder
- Snapfix (use WB4 with screws for cross brace)
- Max. weight 60 kg.
- Particleboard/blockboard
- Straight



Use with:

- ST1/ST2/ST3 - steel top shelf
- WT1 - wooden top shelf
- WT2 - wooden overlaying top shelf



WE ARE LIBRARY PEOPLE®

Lingo

Wooden shelves

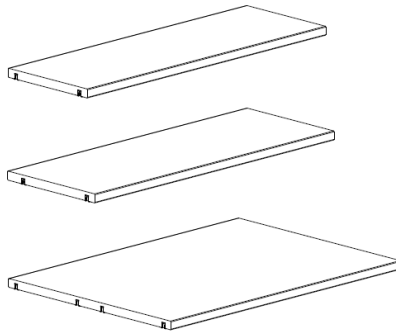
WT1 – wooden top shelf for H720/920

Details:

- Module 500/750/900/1000 mm
- Depth 250/300/400 mm
- Melamine/painted/veneer
- Single-sided (standard/full depth)/double-sided
- Snapfix
- Max. weight 100 kg.
- Blockboard

Use with:

- S1/S2/S3/S4 - steel shelves
- W1/W2/W3/W4 - wooden shelves
- WP1/2/5/6 - wooden panels for top shelves
- WBP1/2/3/4 - wooden back panel for top shelves



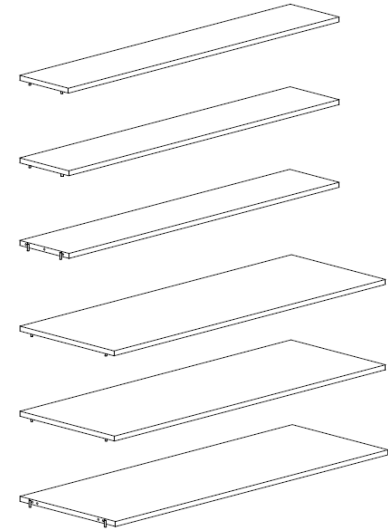
WT2 – wooden overlaying top plate

Details:

- Module 500/750/900/100 mm
- Depth 250/300/400 mm
- Melamine/painted/veneer
- Single/double-sided
- Freestanding/outer/intermediate
- Snapfix
- Max. weight 25 kg.
- Particle board/MDF

Use with:

- S1/S2/S3/S4 - steel shelves
- W1/W2/W3/W4 - wooden shelves
- WP3/4/7/8 - wooden panels for overlaying top plate
- WBP1/3 - wooden back panels for overlaying top plate



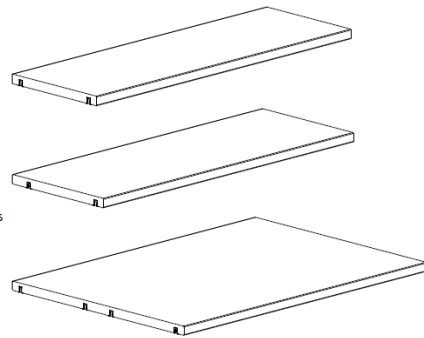
WT1 – wooden top shelf for H1220/1520/1820/2120

Details:

- Module 500/750/900/100 mm
- Depth 250/300/400 mm
- Melamine/painted/veneer
- Single-sided (standard/full depth)/double-sided
- Snapfix
- Max. weight 25 kg.
- Particle board/MDF

Use with:

- S1/S2/S3/S4 - steel shelves
- W1/W2/W3/W4 - wooden shelves
- WP1/2/5/6 - wooden panels for top shelves
- WBP1/2/3/4 - wooden back panel for top shelves



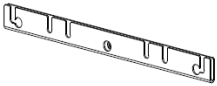


WE ARE LIBRARY PEOPLE®

Lingo

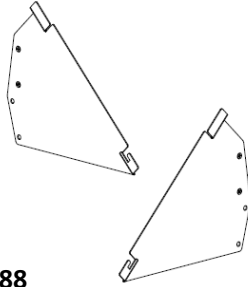
Mounting steel shelves

For S1, S2, ST1, ST2



BN084
Steel bracket
Universal – for left and right

For S1, S2



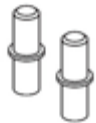
BN088
45° /60° steel plate bracket

For S1, S2



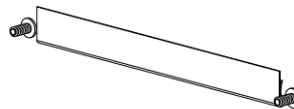
BN086
7.5 reverse tilted steel plate bracket
Universal – for left and right

For S3, S4



115063
Pins
Use for intermediate shelves

For S3, S4, ST3



115062 and 115064
Screws and spacer
Use for top and bottom shelves as well as intermediate shelves for configurations with cross brace

For S3



BN066
Sloping bracket

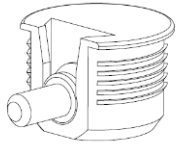


WE ARE LIBRARY PEOPLE®

Lingo

Mounting wooden shelves

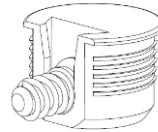
For W1, W2, W3, W4,



Snapfix and pins

Use for intermediate wooden shelves

For WB1, WB2, WB3, WB4 and WT1



Snapfix and screws

Use for intermediate wooden shelves

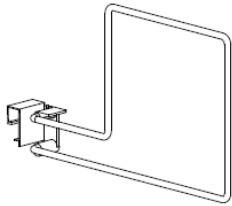


WE ARE LIBRARY PEOPLE®

Lingo

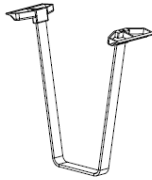
Book supports

For S1, W1



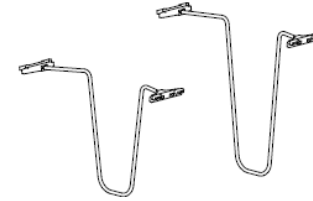
B401122
Backedge book support
White plastic/chrome

For S2, ST2



B401124
Hanging book support
Chrome/steel colours

For S3, S4, ST3



B405530
Hanging book support
Chrome



WE ARE LIBRARY PEOPLE®

Lingo

Clip-on signage

For S1/ST1 w/25 mm frontedge



Clip-on B401135

H25 mm
W220 mm

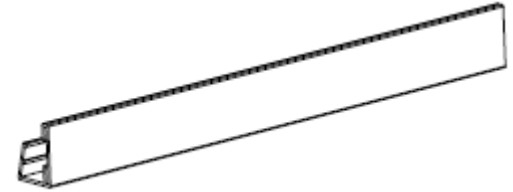
For S2, ST2



Clip-on E3381

H25 mm
W213 mm

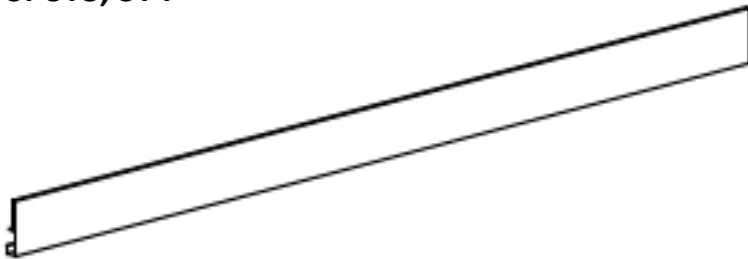
For S3, S4, W3, W4, WB3, WB4



Clip-on B401710

H21 mm
W105/210 mm

For ST3, ST4



Clip-on B401144

H50 mm
W500/750/900/1000 mm



WE ARE LIBRARY PEOPLE®

Lingo

Self-adhesive/magnetic signage

For S1, S2, S3, S4, ST1, ST2, ST3

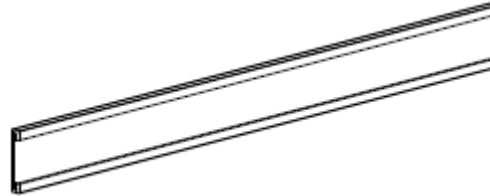


Self-adhesive - B401712

H20 mm

W147/200 mm

For S1, S2, S3, S4, ST2, ST3

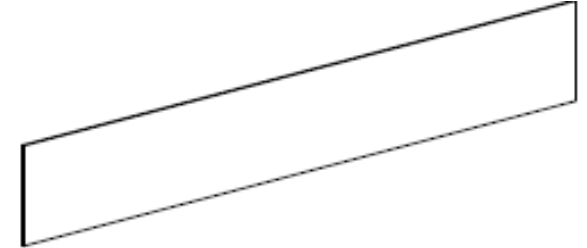


Magnetic – B401714

H20 mm

W210 mm

For ST1 with 47 mm frontedge



Magnetic - B400002

H40 mm

W300 mm

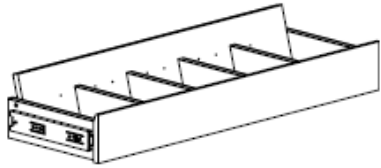


WE ARE LIBRARY PEOPLE®

Lingo

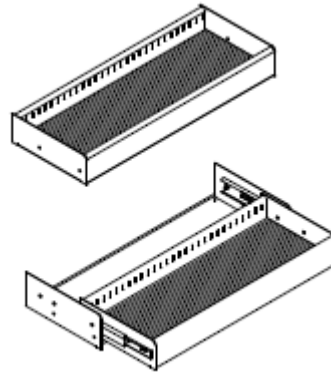
Browsers

Wooden browser



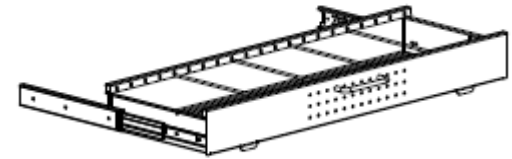
B784004

Steel browser



B405070

Steel browser



B405085