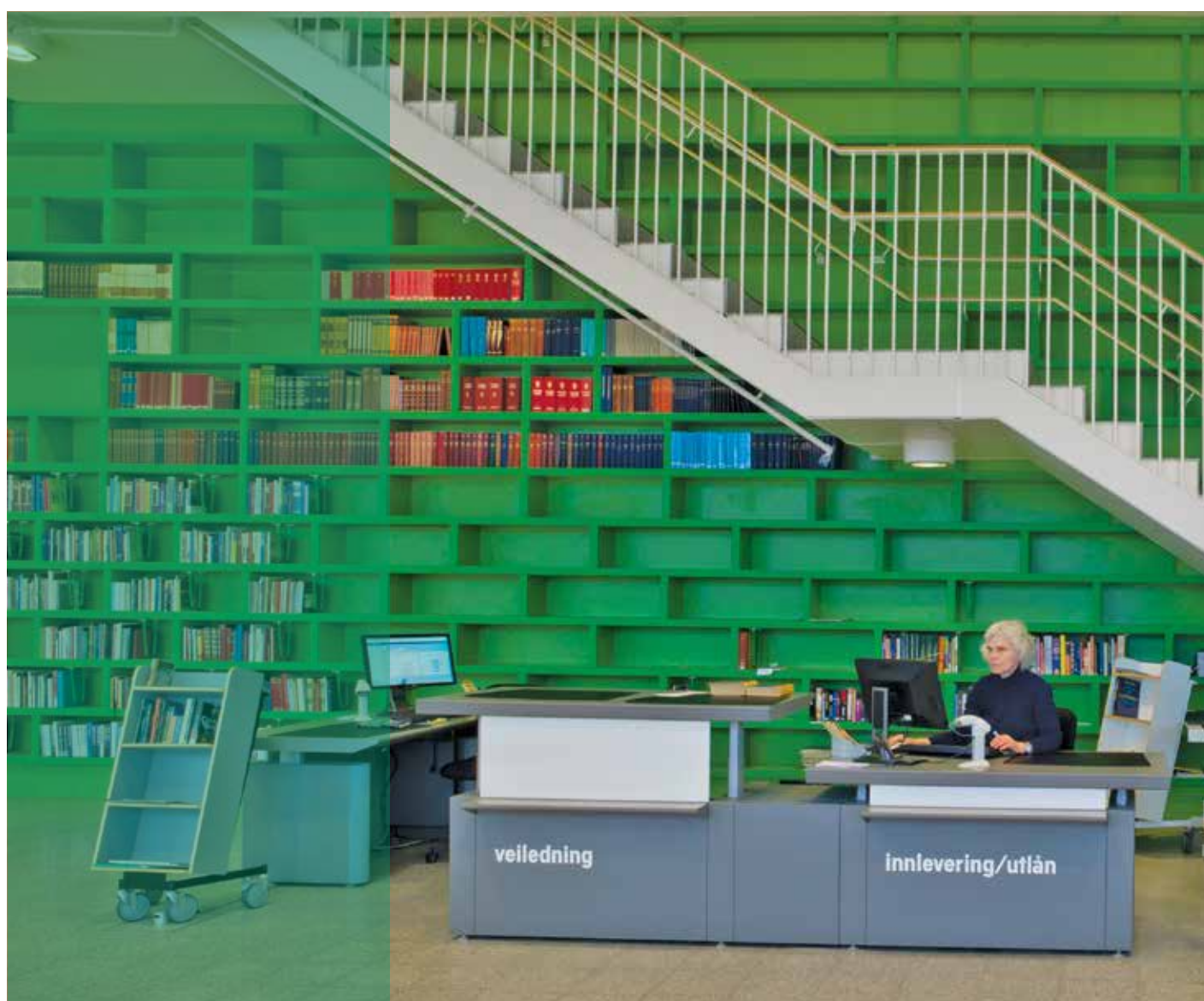




# CONCERTINA

COUNTER

DESIGN BCI





## CONCERTINA COUNTER

*Flexible, ergonomic and aesthetic*

Concertina is an adjustable and ergonomic work station. The counter takes the comfort of the user into account and improves the work habit of library and office employees. The height adjustability gives the user the flexibility to change work postures during the course of the day to break potentially health-impairing routines or to adjust the work station to fit several individuals or tasks simultaneously.

The counter is often placed at the entrance area and is the first point of contact, thus the first impression of the library. Therefore, the counter should be welcoming, inviting and tempt people to enter and explore the library.

With its aesthetic and functional design the Concertina counter offers a flexible system with a range of options to fit the individual needs.



Ever since the start  
80 years ago,  
libraries have been  
the heart of our business.  
Today, we are proud  
to call ourselves  
library people.

WE  
ARE  
LIBRARY  
PEOPLE®







# FACTS

## Product details

The basic elements of Concertina are base modules, intermediate modules and counter tops available in different dimensions.

The base modules can be divided into 2 groups; unit with fixed height (standard 72 cm) and unit with electrically height adjustment (from 70 to 120 cm). The base modules are available as straight and curved modules and can be used as freestanding or connected modules (starter and add-on). The front panel is available in steel or beechwood. The upper front panel is available as a steel or perforated steel front panel.

**BASE MODULE**

**STRAIGHT**  
Width: 110 / 150 cm  
Depth: 66 / 78 / 90 cm

**CURVED**  
45° / 60°  
Depth: 66 / 78 / 90 cm

**INTERMEDIATE MODULE**

Width: 44 / 87 cm

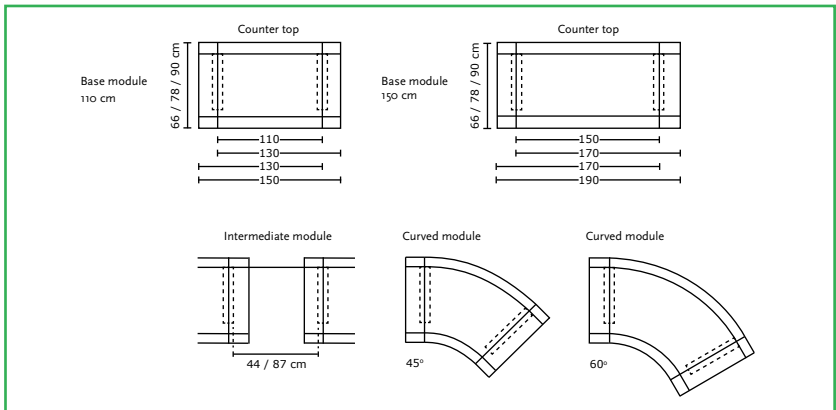
**COUNTER TOP STRAIGHT**

**BASE 110 cm**  
Width: 110 / 130 / 150 cm  
Depth: 66 / 78 / 90 cm

**BASE 150 cm**  
Width: 150 / 170 / 190 cm  
Depth: 66 / 78 / 90 cm

**ACCESSORIES**

- Drawer pedestal
- Shelf pedestal
- Bag shelf
- Shelf
- Pen drawer
- Money drawer
- Pigeon hole



**DETAILS**

See technical specifications on our website

[www.wearelibrarypeople.com](http://www.wearelibrarypeople.com)

